



## Urine Bottle **Uno** 1640

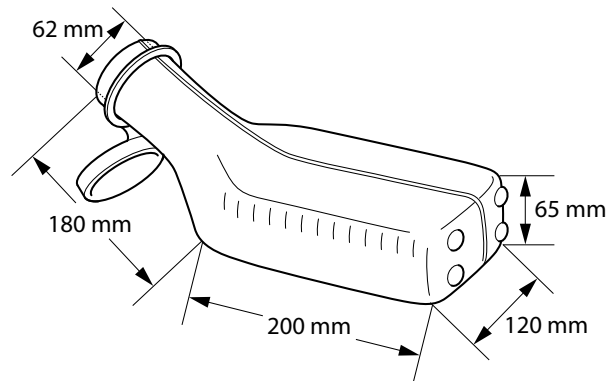
Wing Plasts Urine Bottle Uno for men is manufactured in an environmentally friendly polypropylene plastic.

The Urine bottle Uno is marked every 100 ml, holds up to 1 litre and is equipped with a tight fitting lid.

The bottle can withstand temperatures up to 125°C and is easily cleaned with water, soap and disinfectant.

- 1000 ml volume
- Marked every 100 ml
- Equipped with a tight fitted lid
- Ergonomic design
- Stands upright



**Material**

- Polypropylene
- Melting Temperature: 120 °C
- Not autoclaveable
- Latex Free

**Cleaning**

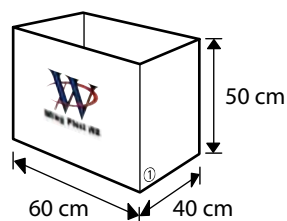
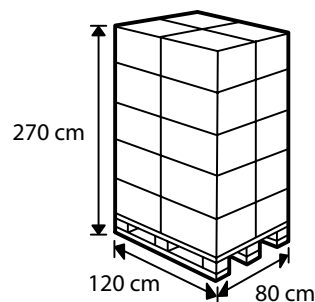
- Water, soap and disinfectant

**Weight**

- Detail: 150 g
- Transport packaging: 4,5 kg

**Packaging**

- Section package: 1 pcs
- Transport packaging: 30 pcs
- Pallet quantity: 600 pcs

**Transport packaging****Pallet**

Weight: 110 kg  
Volume: 2,6 m<sup>3</sup>

**Quality**

- ISO 9001

**Environmental**

- ISO 14001

**Medical**

- ISO 13485