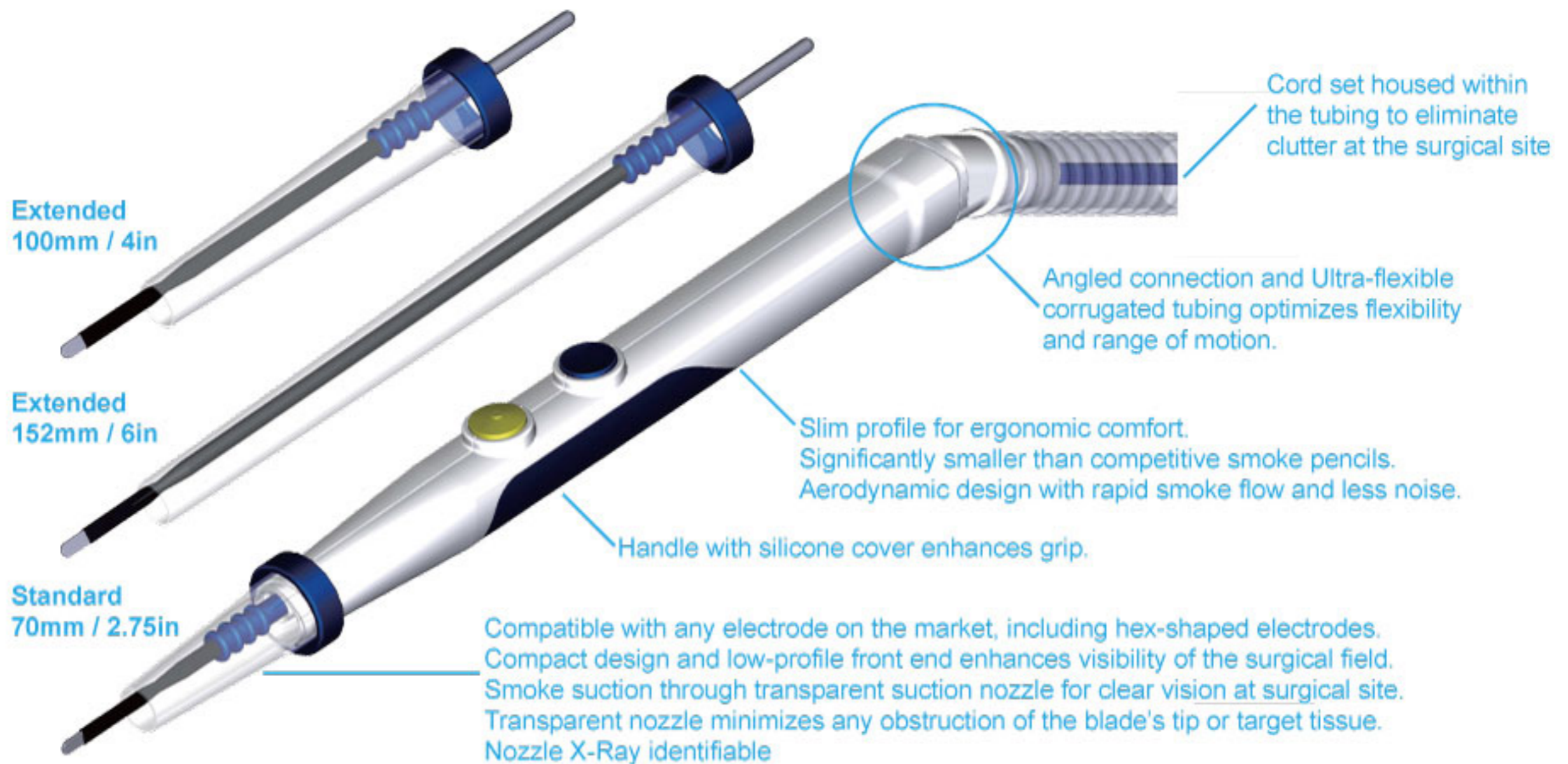
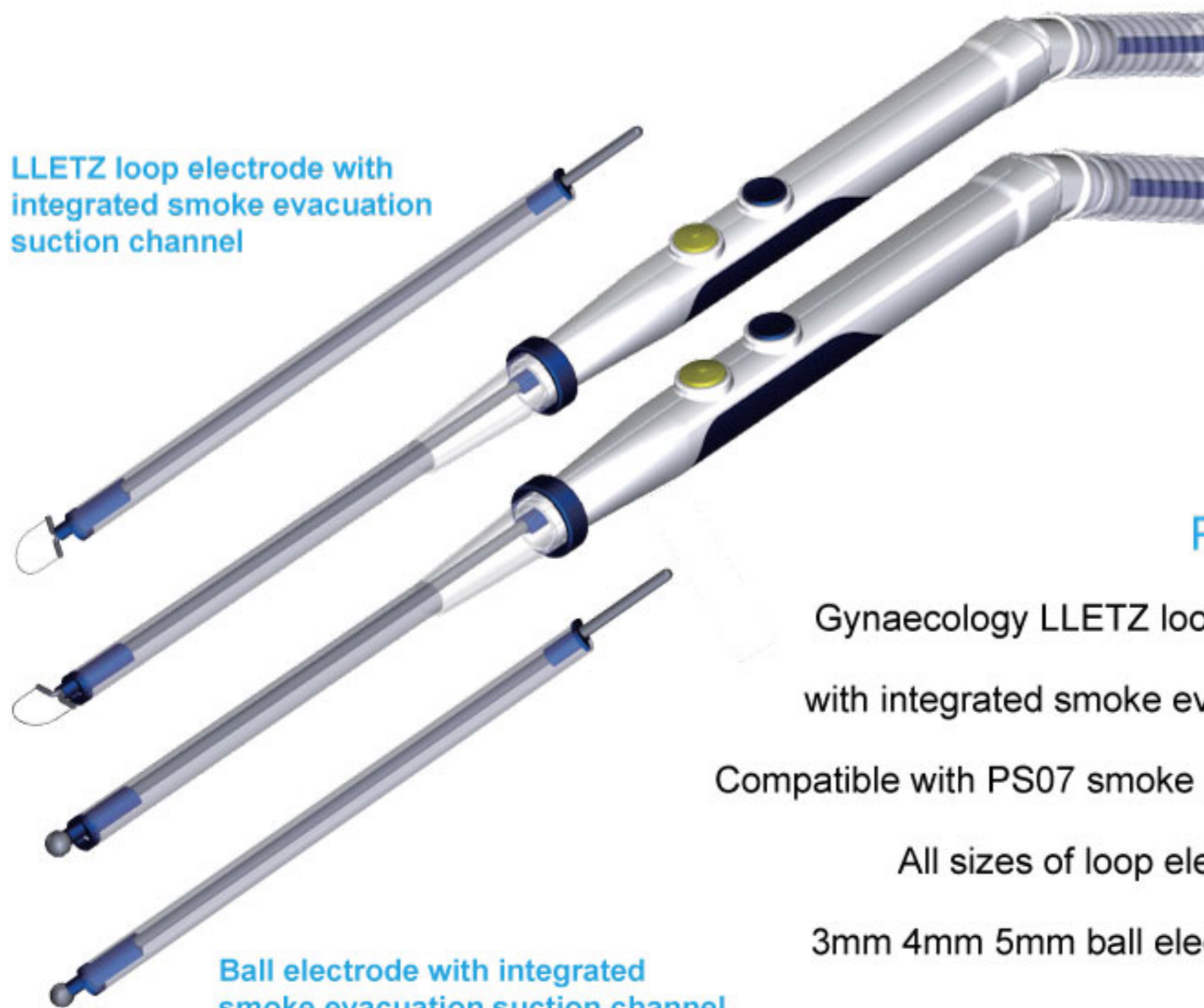


## Diathermy pencil with integrated smoke evacuation

The MEDSTAR's smoke evacuation pencil provides both monopolar electrosurgery and a quick and easy removal of smoke plume during surgery. A highly flexible lightweight suction tubing with integrated pencil cable presents the total design of the MEDSTAR'S smoke evacuation pencil as a slim and user-friendly product. It fits most standard electrodes from 70mm-152mm, Angled connection and Ultra-flexible tubing for maximum range of motion. Enabling the surgeon to operate with optimum manoeuvrability and maximum visibility even in deep cavities. The MEDSTAR'S smoke evacuation pencil can be connected to all smoke evacuation systems as well as central vacuum systems.



LLETZ loop electrode with integrated smoke evacuation suction channel



# Diathermy pencil with integrated smoke evacuation

## ORDER INFORMATION



<b>PS07-K70GY</b>	70mm Non-stick Teflon Coated Blade electrode, 3.0m(10 ft) Tubing with 22mm female/male connector, 3.0m(10 ft) Cable with 3-prong plug	20PCS/Box
<b>PS07-K70</b>	70mm S/S Blade electrode, 3.0m(10 ft) Tubing with 22mm female/male connector, 3.0m(10 ft) Cable with 3-prong plug	20PCS/Box



<b>PS07-K2XGY</b>	70mm + 152mm Non-stick Teflon Coated Blade electrode, 70mm + 152mm transparent smoke nozzles, 3.0m(10 ft) Tubing with 22mm female/male connector, 3.0m(10 ft) Cable with 3-prong plug	20PCS/Box
-------------------	---	-----------



<b>PS07-K3XGY</b>	70mm + 100mm + 152mm Non-stick Teflon Coated Blade electrode, 70mm + 100mm + 152mm transparent smoke nozzles, 3.0m(10 ft) Tubing with 22mm female/male connector, 3.0m(10 ft) Cable with 3-prong plug	20PCS/Box
-------------------	---	-----------



<b>ESS01-100</b>	100mm Blade Electrode, with Smoke Evacuation Nozzle	10PCS/Box
<b>ESS01-152</b>	152mm Blade Electrode, with Smoke Evacuation Nozzle	10PCS/Box
<b>ESS01-100GY</b>	100mm Blade Electrode, Non-stick Teflon Coated, with Smoke Evacuation Nozzle	10PCS/Box
<b>ESS01-152GY</b>	152mm Blade Electrode, Non-stick Teflon Coated, with Smoke Evacuation Nozzle	10PCS/Box



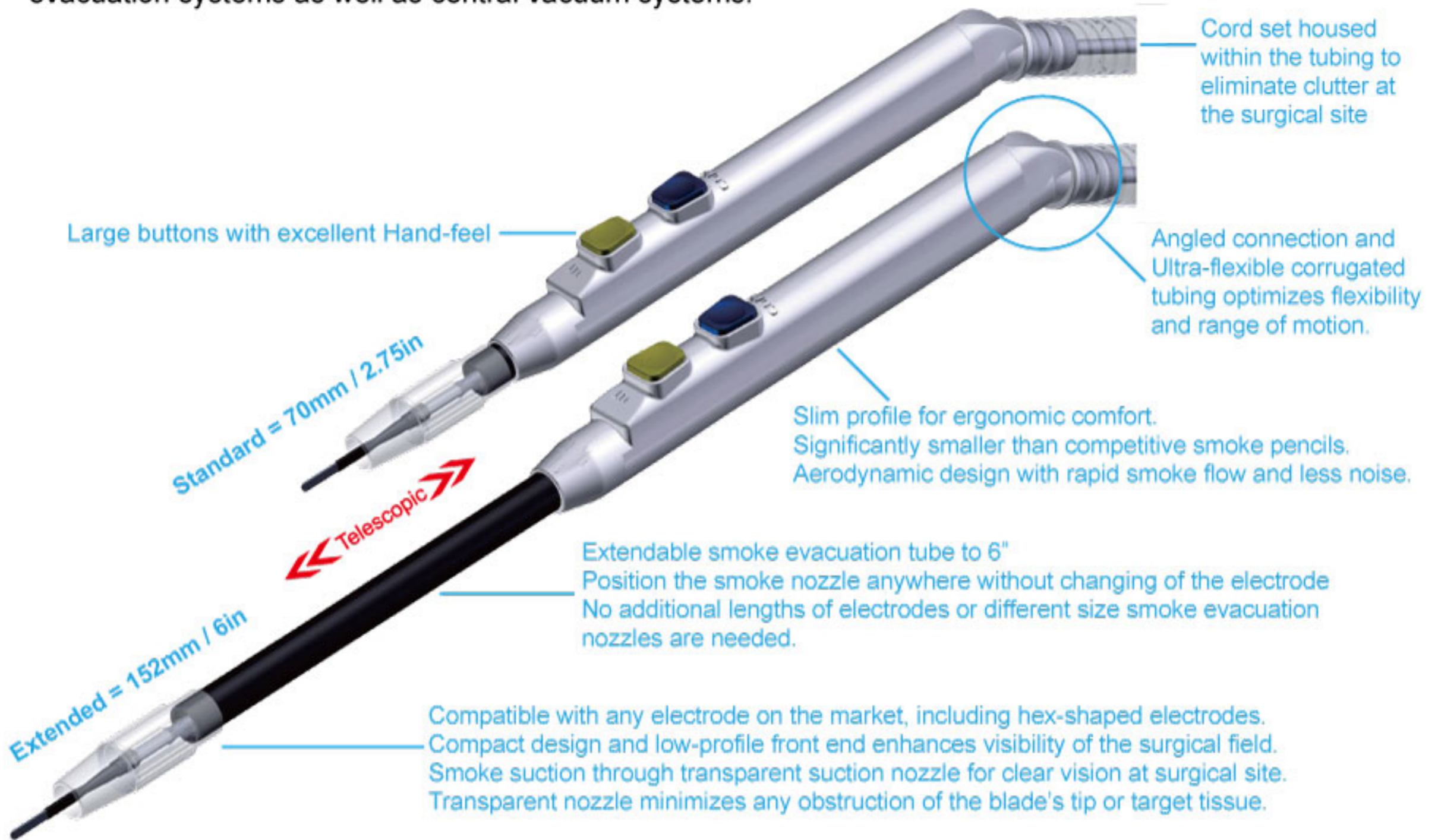
<b>ESS03-B03152GY</b>	3mm Smoke Evacuation Ball Electrode, Non-stick Teflon Coated, 15CM shaft	10PCS/Box
<b>ESS03-B04152GY</b>	4mm Smoke Evacuation Ball Electrode, Non-stick Teflon Coated, 15CM shaft	10PCS/Box
<b>ESS03-B05152GY</b>	5mm Smoke Evacuation Ball Electrode, Non-stick Teflon Coated, 15CM shaft	10PCS/Box



<b>ESS04-1010C-152</b>	10x10mm Smoke Evacuation Loop Electrode, 15CM shaft, yellow	10PCS/Box
<b>ESS04-1512C-152</b>	15x12mm Smoke Evacuation Loop Electrode, 15CM shaft, green	10PCS/Box
<b>ESS04-2010C-152</b>	20x10mm Smoke Evacuation Loop Electrode, 15CM shaft, red	10PCS/Box
<b>ESS04-2012C-152</b>	20x12mm Smoke Evacuation Loop Electrode, 15CM shaft, white	10PCS/Box
<b>ESS04-2015C-152</b>	20x15mm Smoke Evacuation Loop Electrode, 15CM shaft, blue	10PCS/Box
<b>ESS04-2508C-152</b>	25x8mm Smoke Evacuation Loop Electrode, 15CM shaft, tan	10PCS/Box

# Telescopic electro-surgical smoke evacuation handpiece

The MEDSTAR's telescopic pencil is designed with 40-degree angled connection and integrated wire-in-tube which enables precise, accurate handling. Cord set housed within the tubing to eliminate clutter at the surgical site. The electrode with transparent smoke evacuation nozzle can be positioned at any point, no need to pause during a surgical procedure to change tips. So it is comfortable and surgically effective for the surgeon. Compatible with any electrode on the market, including hex-shaped electrodes. The MEDSTAR'S telescopic smoke evacuation pencil can be connected to all smoke evacuation systems as well as central vacuum systems.



Currently, this is the only smoke evacuation handpiece available with compatible special designed LETZ loop/Ball electrodes.

Surgeons are able to adjust the handpiece to aspired length without changing electrode.



## Patent Design

Special Designed Gynaecology LLETZ loop / ball electrode compatible with PS09 telescopic smoke evacuation pencil

All sizes of loop electrodes available

3mm 4mm 5mm ball electrodes available

# Telescopic electrosurgical smoke evacuation handpiece

## ORDER INFORMATION



PS09-K70GY	70mm Non-stick Teflon Coated Blade electrode, 3.0m(10 ft) Tubing with 22mm female/male connector, 3.0m(10 ft) Cable with 3-prong plug	20PCS/Box
PS09-K70	70mm S/S Blade electrode, 3.0m(10 ft) Tubing with 22mm female/male connector, 3.0m(10 ft) Cable with 3-prong plug	20PCS/Box

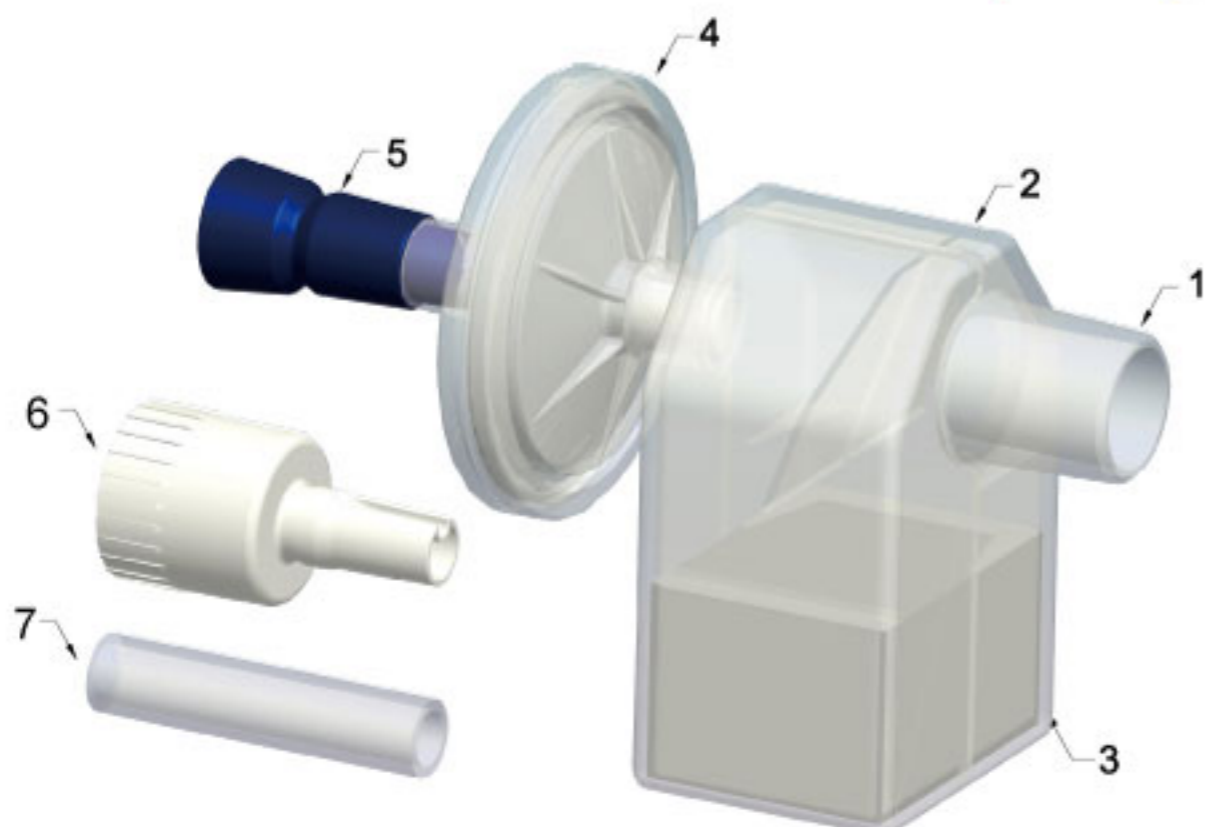


ELM11-L1010C-35	10*10mm Loop Electrode,Length=35mm (Compatible with PS09)	10PCS/Box
ELM11-L1512C-35	15*12mm Loop Electrode,Length=35mm (Compatible with PS09)	10PCS/Box
ELM11-L2010C-35	20*10mm Loop Electrode,Length=35mm (Compatible with PS09)	10PCS/Box
ELM11-L2012C-35	20*12mm Loop Electrode,Length=35mm (Compatible with PS09)	10PCS/Box
ELM11-L2015C-35	20*15mm Loop Electrode,Length=35mm (Compatible with PS09)	10PCS/Box
ELM11-L2020C-35	20*20mm Loop Electrode,Length=35mm (Compatible with PS09)	10PCS/Box



EBS01-0350	3mm Ball Electrode,Length=50mm (Compatible with PS09)	10PCS/Box
EBS01-0450	4mm Ball Electrode,Length=50mm (Compatible with PS09)	10PCS/Box
EBS01-0550	5mm Ball Electrode,Length=50mm (Compatible with PS09)	10PCS/Box
EBS01-0350GY	Non-stick 3mm Ball Electrode,Length=50mm (Compatible with PS09)	10PCS/Box
EBS01-0450GY	Non-stick 4mm Ball Electrode,Length=50mm (Compatible with PS09)	10PCS/Box
EBS01-0550GY	Non-stick 5mm Ball Electrode,Length=50mm (Compatible with PS09)	10PCS/Box

## Smoke Evacuation HEPA Filter with Liquid Trap,Compatible with PS07 and PS09



### Catalogue # P-F1

- 1) 22mm male connector for Smoke Evacuation Pencil
- 2) Liquid Trap
- 3) Sponge collector for liquid(50ml)
- 4) HEPA filter
- 5) Soft Connector (1/3 in.)
- 6) 22mm female connector **compatible with smoke evacuator and central suction system**
- 7) Silicon tubing **compatible with 3/16 -1/4 in. suction system such as suction canister**