



ULUF 750-2M

HIGHLY RELIABLE ULTRA LOW TEMPERATURE FREEZER WITH DOUBLE SECURITY

ULUF 750-2M ultra low temperature freezer comes with dual cooling technology that offers the highest level of security for your samples.



DUAL COOLING SYSTEM



DIRECT COOLING



FILTERLESS CONSTRUCTION

ULTIMATE SAMPLE PROTECTION

The dual cooling system is standard in the ULUF 750-2M, offering ultimate sample protection.

In the event of any failure on one of the cooling systems, the other system will still maintain an operating temperature of -70°C meaning your valuable samples at all times are stored with best possible security.

WORKING ENVIRONMENT

By placing the components on top of the freezer, there is never a compartment that you will have difficulties overlooking or using fully. Ensuring an ergonomically correct unit, which is easy and pleasant to use on a day-to-day basis.

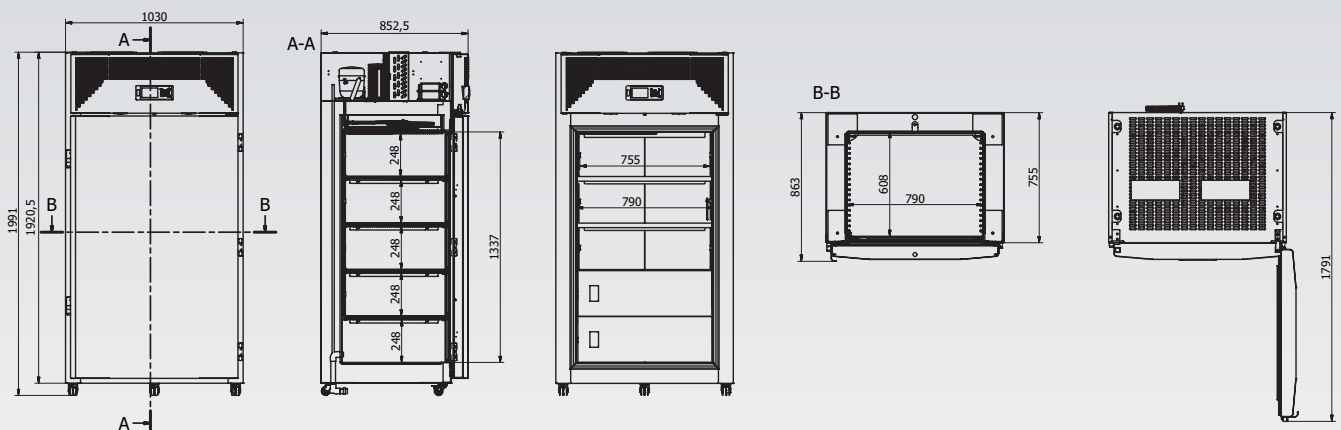
We are also able to reduce the noise level due to the placement of compressors and other heat - and noise generating components on top of the unit, ensuring a pleasant work environment.

FILTER LESS CONSTRUCTION

Our filter less construction makes cleaning unnecessary. The evaporator coils are spaced so far apart that dust will not be trapped and obstruct the airflow.

With our compressors located on the top, the dust intake is minimal this eliminating the need for filters entirely, saving you maintenance time and cost.

MAIN DIMENSION FOR ULUF 750-2M



MAIN SPECIFICATIONS

Item code	DAI 1383
Temperature range (°C)	-40 / -86
Max. ambient temperature (°C)	25
Capacity (L)	642
Exterior dimensions WxDxH (mm)	1030x885x1990
Interior dimensions WxDxH (mm)	790x608x1345
Weight (KG)	242
Insulation (mm)	120
Cooling technology	dual system / static*
Controller model / probe type	G214 / PT1000

POWER

Power supply (V)	230
Frequency (Hz)	50/60
Power consumption (kWh/24H)	19,5
AMP (A)	8,7
Power (Watt)	1359
Horse power (HP)	3/4

ALARM FUNCTIONS

Alarm display as text - not codes	yes
Visual / acoustic alarm	yes / yes
Power failure alarm	yes
Adjustable high / low temperature alarm	yes / yes
Open door alarm	yes
Probe failure alarm	yes
Low battery alarm	yes
Compressor failure alarm	yes
Battery backup for alarms (approx. hrs.)	72

DATA LOGGING & EXTERNAL CONNECTION

Voltage free contact for remote alarm (e.g. GSM module)	yes
Electronic data logger	yes
RS 485 port	yes
USB port for software update & data download	yes
Temperature chart recorder	optional

DISPLAY FEATURES

Display type	4,3" with touch buttons
Number of optional reference probes	2
Password protection for turning unit on / off	yes
Temperature graph on display	yes

OTHER FEATURES

Automatic defrost	no
Antifreeze function	no
Vacuum release port	yes
Access port for external probe etc. (int. diameter mm)	12
Light	yes
Lock with key	yes
Castors (total pcs) / castors with brake (pcs)	4 / 2
Fixed feet (pcs) / levelling feet (pcs)	no
Sub lids or inner doors (pcs)	5
Reversible door(s)	no
Fixed shelves (pcs) / adjustable shelves (pcs)	4 / 0
Max. no. of shelves (pcs) / recommended max. no. of shelves (pcs)	4 / 4
Max. load per shelf (kg)	25
Total capacity of 50 mm boxes 9x9 dividers (pcs)	400
Total capacity of 75 mm boxes 9x9 dividers (pcs)	200
Total capacity of 96 mm boxes 9x9 dividers (pcs)	200

REFRIGERATION & CABINET

Number of compressors	2
Refrigerant	EP88
Interior cabinet material	stainless steel
Exterior cabinet material	electrogalvanized steel
Colour (exterior cabinet)	white
Foam type	polyurethane
VIP vacuum insulated panels	no

SHIPPING

Shipping weight (KG)	383
Shipping dimensions WxDxH (cm)	114x108x219
Shipping volume (m ³)	2,70

*In case of failure on one cooling cycle, the freezer will maintain an operating temperature of -70°C

OPTIONAL ACCESSORIES

Modbus adapter for G214 controller
Temperature chart recorder
CO2 back-up system
GSM alarm module
Voltage converter
Voltage stabilizer
Racks & boxes
Cryo gloves

Arctiko A/S

Oddesundvej 39 · DK-6715 Esbjerg N · Phone: +45 7020 0328
info@arctiko.com ■ arctiko.com



Intertek

Intertek